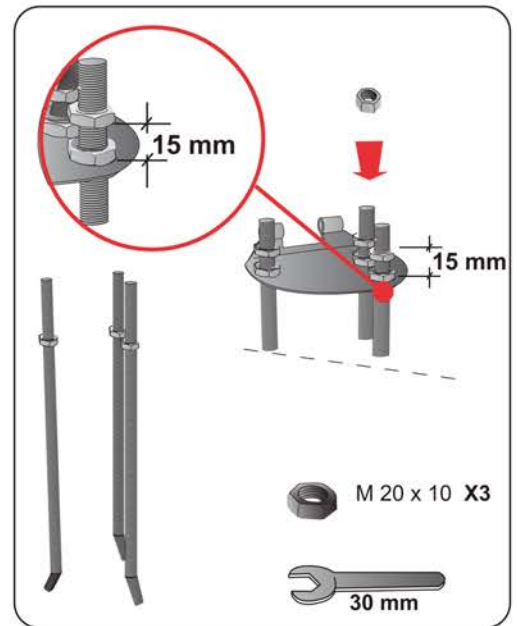
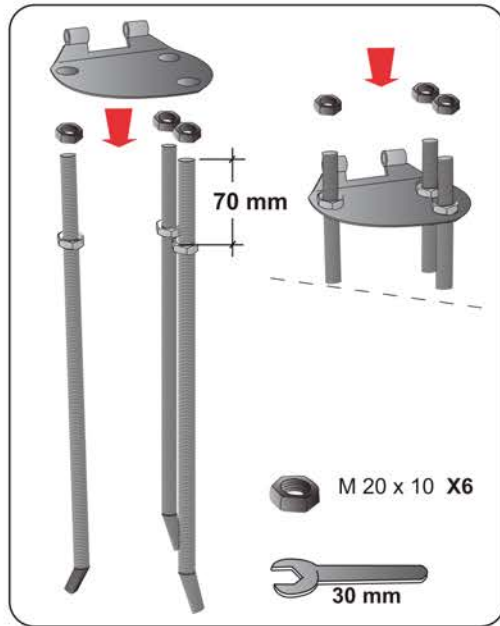
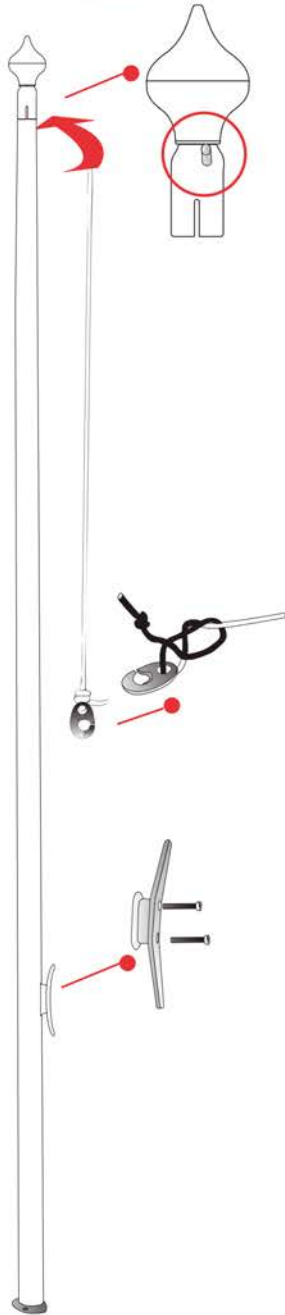


Nordic



1

2

3

4

Betonas

90°

Ø 300-400 mm

A

B

2-300 mm

A

Gruntas

M	6-8 m	9 m	10 m	12 m
A= mm	300	300	400	400
B= mm	800	900	1000	1200

